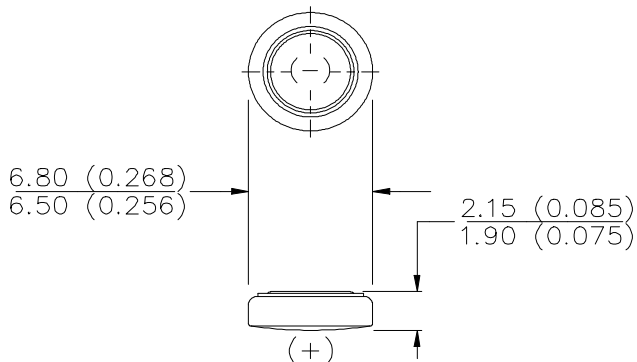


## ENERGIZER NO. 364



Industry Standard Dimensions in mm (inches)

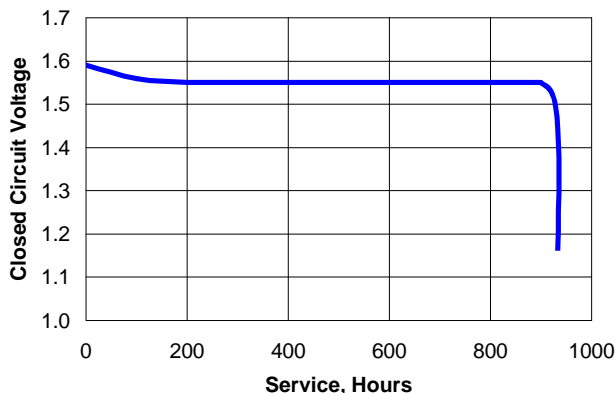


**Chemical System:** Silver Oxide (Zn/Ag<sub>2</sub>O)

**Designation:** ANSI / NEDA-1175SO, IEC-SR60/TR60  
**Battery Voltage:** 1.55 Volts  
**Average Weight:** 0.31 grams (0.11 oz.)  
**Volume:** 0.08 cubic centimeters (0.005 cubic inch)  
**Average Capacity:** 20 mAh to 1.3 volts  
 (Rated at 70k ohms continuous at 21°C)

### TYPICAL DISCHARGE CURVE

Simulated Test @ 21°C (70°F)



DESIGNED FOR USE ON CONTINUOUS LOW DRAIN

### Simulated Application Test Estimated Average Service at 21°C (70°F)

| Schedule:    | Typical Drains<br>at 1.55V<br>(milliamperes) | Load<br>(ohms) | Cutoff Voltage |
|--------------|--|----------------|----------------|
|              |  |                | 1.3V           |
| 24 hours/day | 0.022  | 70,000         | 915 Hours      |

**INTERNAL RESISTANCE:** Closed circuit voltage no less than 0.85 volts on a load of 100 ohms at 21°C (70°F) for 0.1 to 2.0 seconds.

Typical closed circuit voltage during discharge on a load of 2,000 ohms for 0.0078 seconds.

### Depth of Discharge as Percent of Rated Capacity

| Temperature  | 0%    | 40%   | 80%   |
|--------------|-------|-------|-------|
| 21°C (70°F)  | 1.58V | 1.55V | 1.55V |
| -10°C (14°F) | 1.48V | 1.38V | 1.38V |

### Important Notice

This data sheet contains information specific to batteries manufactured at the time of its publication.

**Contents herein do not constitute a warranty.**

Copyright © Eveready Battery Co. Inc. - All Rights Reserved