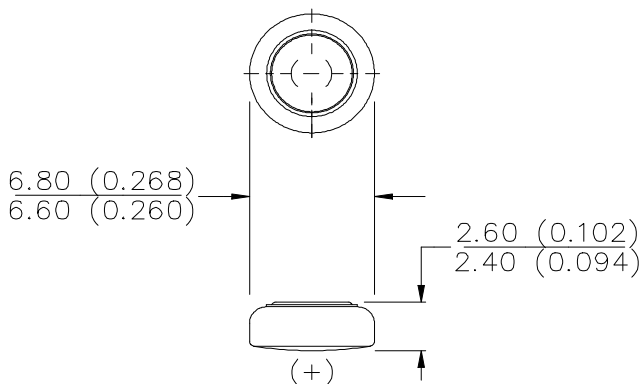


## ENERGIZER NO. 377



Industry Standard Dimensions in mm (inches)

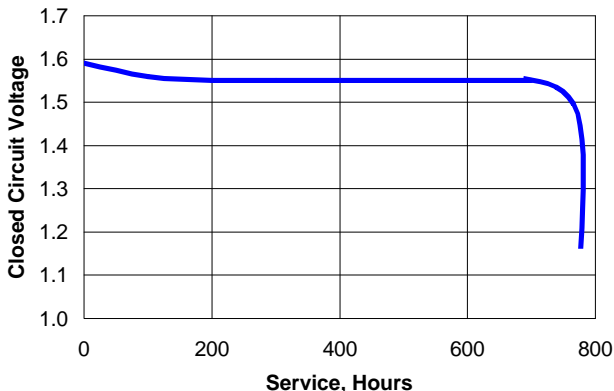


**Chemical System:** Silver Oxide (Zn/Ag<sub>2</sub>O)

**Designation:** ANSI / NEDA-1176SO, IEC-SR66  
**Battery Voltage:** 1.55 Volts  
**Average Weight:** 0.42 grams (0.015 oz.)  
**Volume:** 0.09 cubic centimeters (0.006 cubic inch)  
**Average Capacity:** 26 mAh to 1.3 volts  
 (Rated at 45k ohms continuous at 21°C)

### TYPICAL DISCHARGE CURVE

Simulated Test @ 21°C (70°F)



DESIGNED FOR USE ON CONTINUOUS LOW DRAIN

### Simulated Application Test Estimated Average Service at 21°C (70°F)

Schedule:	Typical Drains at 1.55V (milliamperes)	Load (ohms)	Cutoff Voltage
			1.3V
24 hours/day	0.034	45,000	762 Hours

**INTERNAL RESISTANCE:** Closed circuit voltage no less than 0.90 volts on a load of 100 ohms at 21°C (70°F) for 0.1 to 2.0 seconds.

Typical closed circuit voltage during discharge on a load of 2,000 ohms for 0.0078 seconds.

### Depth of Discharge as Percent of Rated Capacity

Temperature	0%	40%	80%
21°C (70°F)	1.58V	1.55V	1.55V
-10°C (14°F)	1.48V	1.37V	1.35V

### Important Notice

This data sheet contains information specific to batteries manufactured at the time of its publication.

**Contents herein do not constitute a warranty.**

Copyright © Eveready Battery Co. Inc. - All Rights Reserved