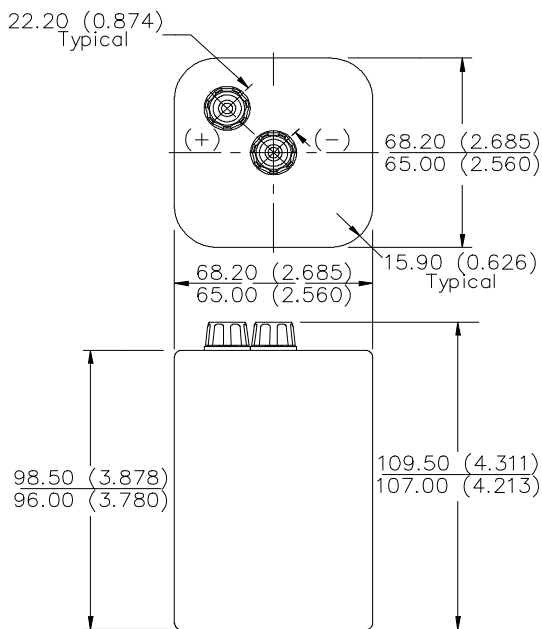


ENERGIZER NO. 510S

6V
CLASSIC



Industry Standard Dimensions in mm (inches)



THIS BATTERY WILL PASS FREELY THROUGH A CYLINDRICAL TUBE 82.6 DIAMETER x 101.6 LONG.

Chemical System: Zinc-Manganese Dioxide (Zn/MnO₂)
 (No Added Mercury or Cadmium)

Designation: ANSI-915, IEC-4R25

Battery Voltage: 6.0 Volts

Operating Temp: -18°C to 55°C (0°F to 130°F)

Average Weight: 600 grams (21.2 oz.)

Volume: 488 cubic centimeters (30 cubic inch)

Average Capacity: 11 Ah to 0.8 volts / cell
 (Rated at 25k ohms continuous at 21°C)

Cell: Four No. 60 (size "F") in series

Jacket: Plastic

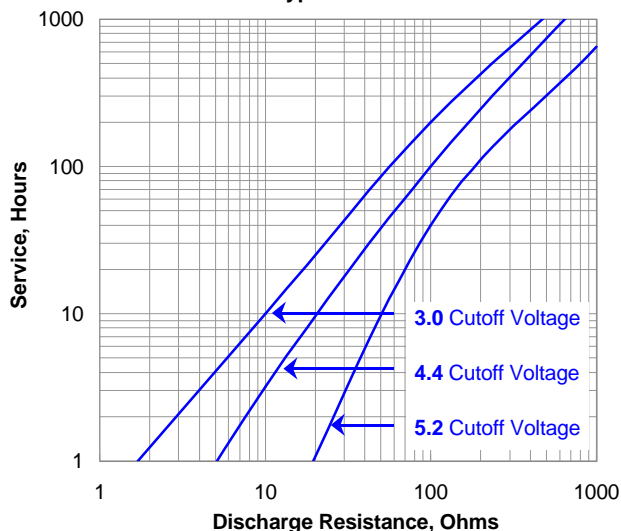
INTERNAL RESISTANCE VS. TEMPERATURE

The measurement is an approximation of the battery's actual internal resistance. It is sensitive to the loads and operator technique.

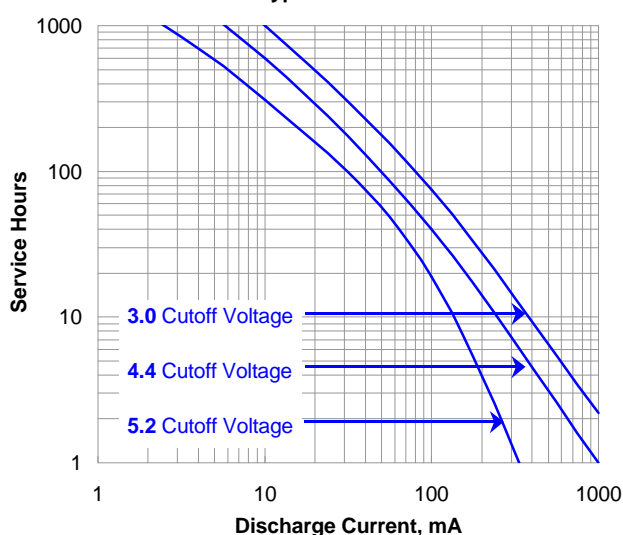
Schedule: Background Load 600 ohms
 Pulse Load 10 ohms
 Pulse Duration 1 second

Temperature	Typical Ri (ohms)
45°C (113°F)	0.7
21°C (70°F)	0.8
0°C (32°F)	1.0
-21°C (-4°F)	10.0

CONSTANT RESISTANCE PERFORMANCE
 Typical Service



CONSTANT CURRENT DISCHARGE
 Typical Service



Important Notice

This data sheet contains information specific to batteries manufactured at the time of its publication.
Contents herein do not constitute a warranty.

ENERGIZER NO. 510S

Typical Applications

LIGHTING
9.1 ohm - 30 min/day



LIGHTING
9.1 ohm - 30 min/on 30min/off 8 hr/day



LIGHTING
33 ohm - 30 min/on 30min/off 8 hr/day



Important Notice

This data sheet contains information specific to batteries manufactured at the time of its publication.
Contents herein do not constitute a warranty.