

ENERGIZER NO. C675

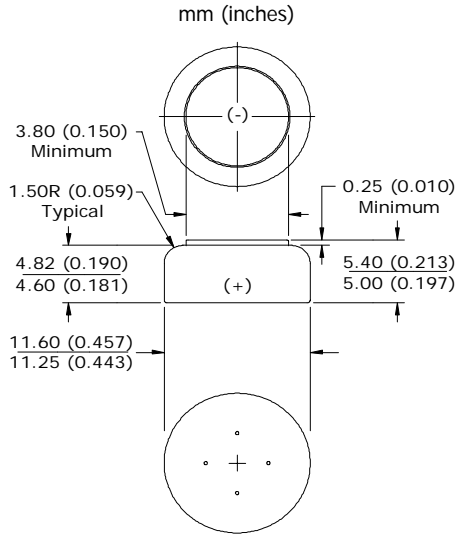
ZINC AIR

"cochlear"



(top view) (bottom view)

Industry Standard Dimensions



Specifications

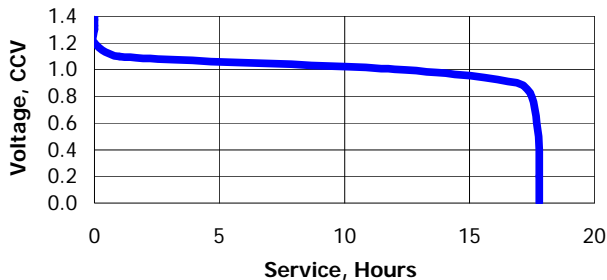
- Chemical System:** Zinc Air (ZnO₂)
- Tab Color:** Blue
- Designation:** IEC-PR44
- Nominal Voltage:** 1.4 Volts
- Typical Capacity:** 570 mAh (to 1.3 volts)
(Rated at 1.5K ohms at 21°C)
- Typical Weight:** 1.9 grams (0.1 oz.)
- Typical Volume:** 0.5 cubic centimeters (0.03 cubic inch)
- Main Application:** Implants

Application Characteristics

Typical Performance at 25°C

Cochlear Implant Performance

Schedule: Continuous
25 milliamperes
Temperature: 25°C

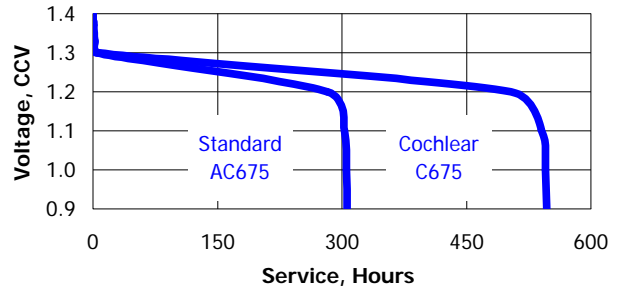


Typical Discharge Characteristics

Typical Performance at 21°C

Comparison to Standard AC675

Schedule: Continuous
625 ohms 16 Hours/Day
Temperature: 21°C



Important Notice

This data sheet contains typical information specific to products manufactured at the time of its publication.
©Energizer Holdings, Inc. - Contents herein do not constitute a warranty.