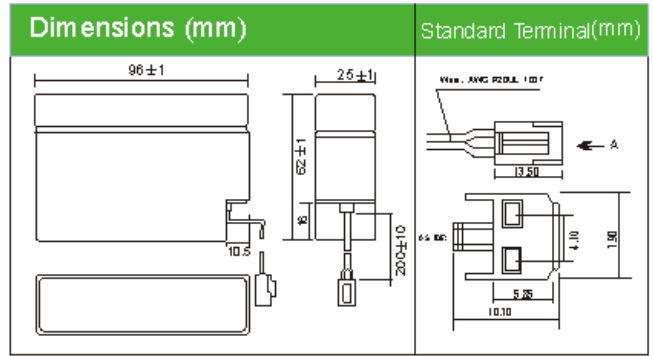
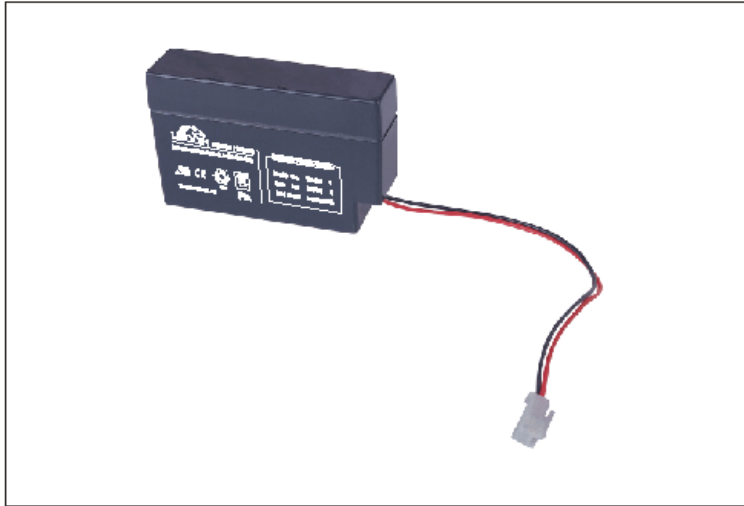




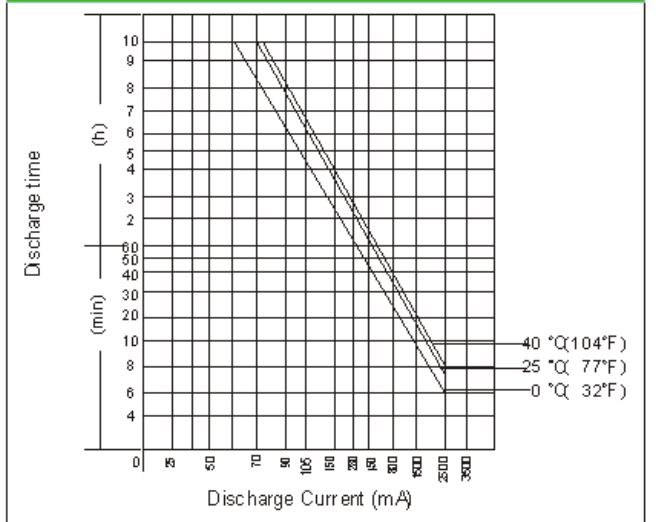
# DJW12-0.8(12V0.8AH)



## Physical Specification

Nominal Voltage		12V
Nominal Capacity (20HR)		0.8AH
Dimension	Length	96 ± 1mm (3.78 inches)
	Width	25 ± 1mm (0.98 inches)
	Container Height	62 ± 1mm (2.44 inches)
	Total Height (with Cover)	62 ± 1mm (2.44 inches)
Weight		Approx 0.34kg (0.75lbs)
Standard Terminal		/

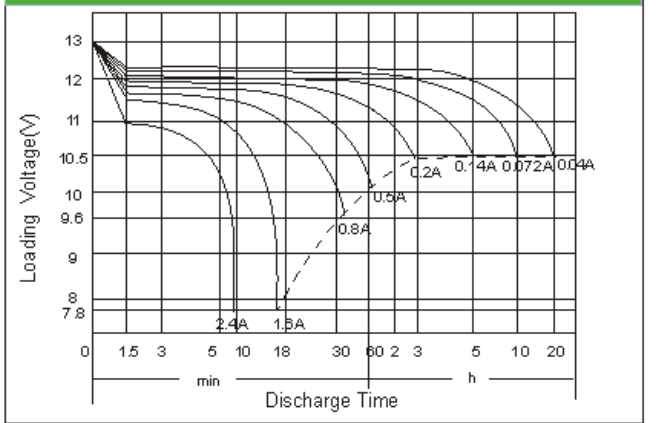
## Discharging Current & Discharge Duration Time



## Electrical Specification

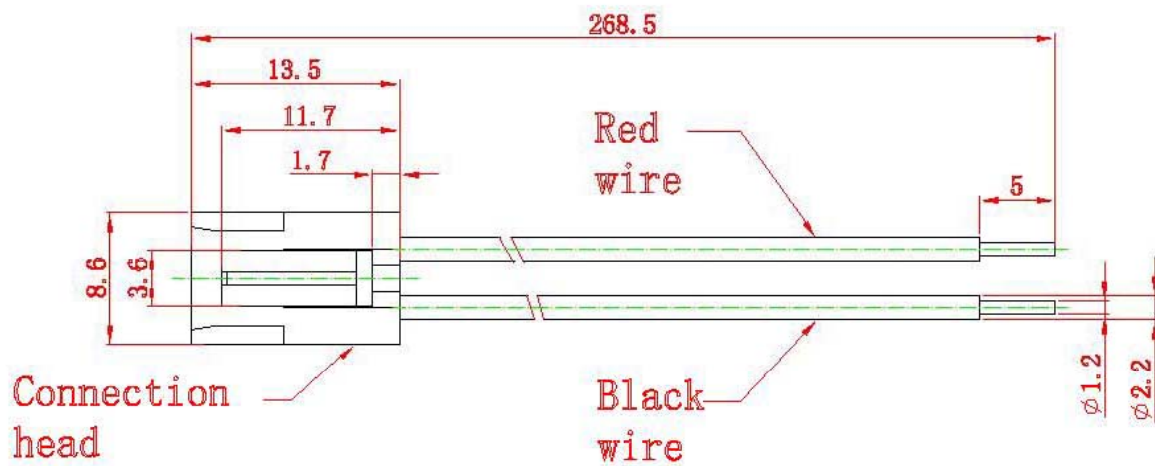
Rated Capacity	20 hour rate (40 mA)	0.8AH	Constant-Voltage	Cycle	Initial Charging Current less than 0.24A. Voltage 14.4V~15.0V at 25°C (77°F) Temp. Coefficient -30mV/°C
	10 hour rate (72 mA)	0.72AH			
	5 hour rate (0.14A)	0.70AH			
	1 hour rate (0.5A)	0.5AH			
	15 minute rate (1.57A)	0.39AH			
Capacity affected by Temperature	40°C (104°F)	103%	Charge	Standby	No limit on Initial Charging Current Voltage 13.5V~13.8V at 25°C(77°F) Temp. Coefficient -20mV/°C
	25°C (77°F)	100%			
	0°C (32°F)	86%			

## Discharge Characteristics (25°C, 77°F)



## Constant Current (Amp) and Constant Power (Watt) Discharge Table (25°C, 77°F)

Time (minute) / Final voltage/Cell	5	10	15	20	30	45	60	120	180	300	600	1200
Amp/W att/C cell	1.3	1.3	1.3	1.3	1.6	1.6	1.67	1.7	1.75	1.75	1.75	1.8
A	3.20	2.28	1.57	1.28	0.92	0.64	0.50	0.28	0.20	0.14	0.072	0.04
w	5.73	4.29	2.98	2.50	1.81	1.27	0.98	0.56	0.41	0.27	0.144	0.08



**Note:**

- 1、 Wire P/N: UL1007 20AWG
- 2、 All the materials must be acidproof.
- 3、 The peeled part on the wire head must be stained with stannum.

				DJW12-0.8AH connection head-A				
Mark	Signature	Date			DWG mark	Weight	Scale	
Designed							1:1	
Drawn			Material:	Quantity:	Total Pages	Page	Rev.	A/0
Verified					Shenzhen Leoch Battery Technology Co., Ltd.			
Standardized								
Approved								