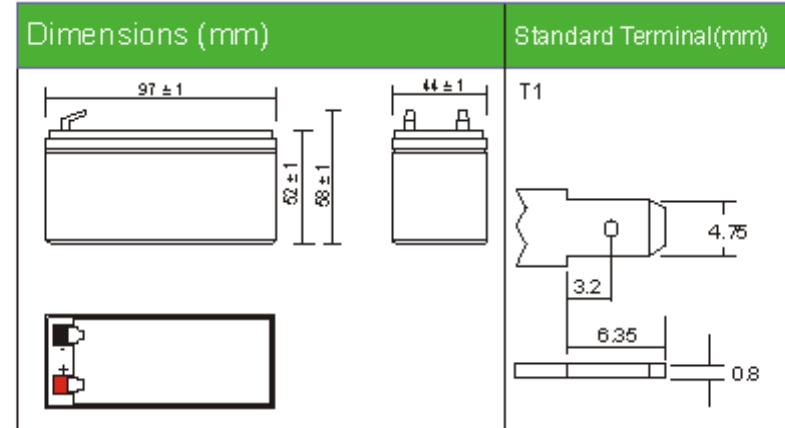
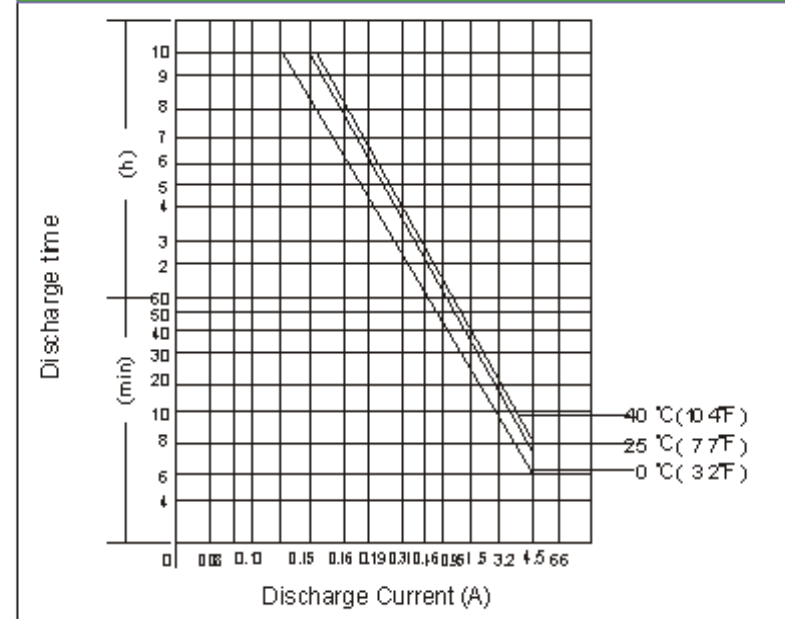




DJW12-1.5(12V1.5AH)



Discharging Current & Discharge Duration Time



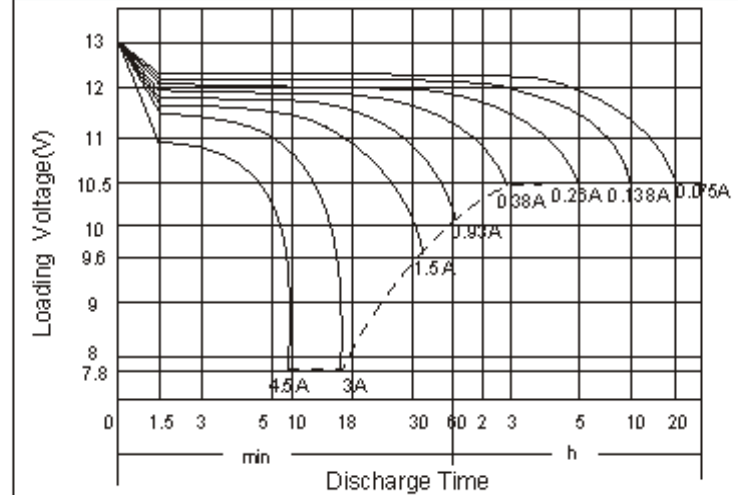
Physical Specification		
Nominal Voltage		12V
Nominal Capacity (20HR)		1.5AH
Dimension	Length	97 ± 1mm (3.82 inches)
	Width	43 ± 1mm (1.69 inches)
	Container Height	52 ± 1mm (2.04 inches)
	Total Height (with Terminal)	58 ± 1mm (2.28 inches)
Weight		Approx 0.65kg (1.43lbs)
Standard Terminal		T1 (standard)

Discharge Characteristics (25°C 77°F)

Electrical Specification

Rated Capacity	20 hour rate (75 mA)	1.5AH	Constant Voltage	Cycle	Initial Charging Current less than 0.45A/Voltage 14.4V- 15.0V at 25°C (77°F) Temp. Coefficient -30mV/°C
	10 hour rate (138mA)	1.38AH			
Capacity affected by Temperature	5 hour rate (260mA)	1.3AH	Charge	Standby	No limit on Initial Charging Current Voltage 13.5V-13.8V at 25°C(77°F) Temp. Coefficient - 20mV/°C
	1 hour rate (930mA)	0.93AH			
	15minute rate (2.94A)	0.735AH			

Discharge Characteristics (25°C, 77°F)



Constant Current (Amp) and Constant Power (Watt) Discharge Table (25°C, 77°F)

Time(minute) Final voltage/Cell Amp/Watt/Cell	5	10	15	20	30	45	60	120	180	300	600	1200
	1.3	1.3	1.3	1.3	1.6	1.6	1.67	1.7	1.75	1.75	1.75	1.8
A	6.37	3.90	2.94	2.24	1.63	1.17	0.93	0.51	0.37	0.26	0.138	0.075
W	10.79	7.42	5.63	4.39	3.21	2.33	1.86	1.01	0.73	0.52	0.26	0.14