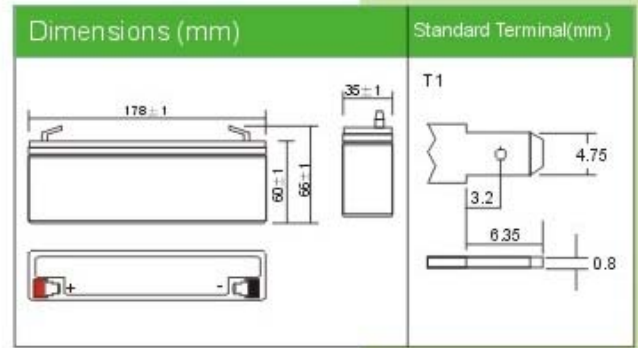
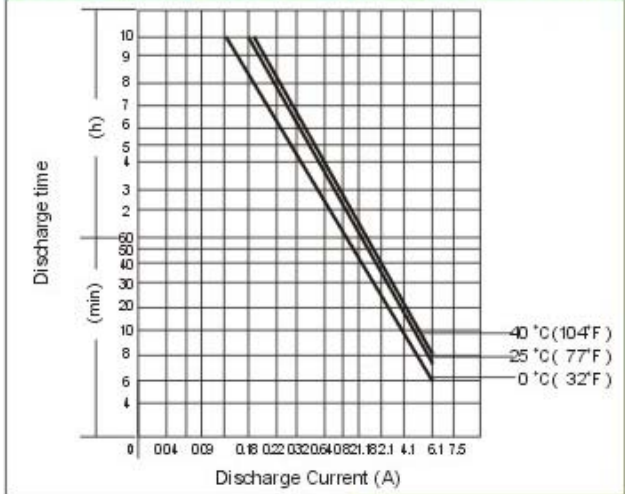




# DJW12-2.1(12V2.1AH)



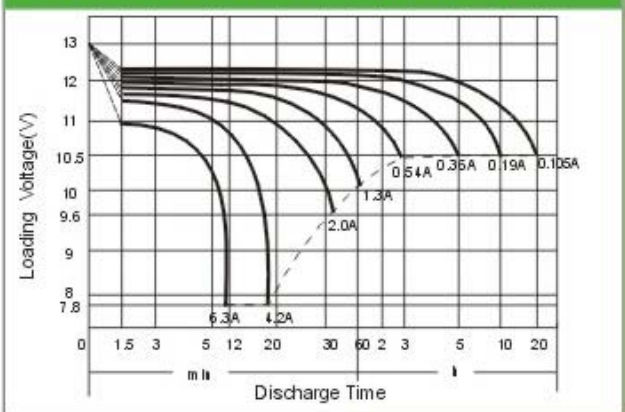
## Discharging Current & Discharge Duration Time



Physical Specification		
Nominal Voltage		12V
Nominal Capacity (20HR)		2.1AH
Dimension	Length	$178 \pm 1\text{mm}$ (7.00 inches)
	Width	$35 \pm 1\text{mm}$ (1.38 inches)
	Container Height	$60 \pm 1\text{mm}$ (2.36 inches)
	Total Height (with Terminal)	$66 \pm 1\text{mm}$ (2.60 inches)
Weight		Approx. 1.0kg (2.20lbs)
Standard Terminal		T1 (standard)

Electrical Specification					
Rated Capacity	20 hour rate (105 mA)	2.1AH	Constant Voltage Charge	Cycle	Initial Charging Current less than 0.57A. Voltage 14.4V~15.0V at 25°C (77°F) Temp. Coefficient -30mV/C
	10 hour rate (190mA)	1.9AH			
	5 hour rate (360mA)	1.8AH			
	1 hour rate (1.30A)	1.30AH			
	15minute rate (4.12A)	1.03AH			
Capacity affected by Temperature	$40^{\circ}\text{C}$ (104°F)	103%	Standby	No limit on Initial Charging Current Voltage 13.5V-13.8V at 25°C (77°F) Temp. Coefficient -20mV/C	
	$25^{\circ}\text{C}$ (77°F)	100%			
	$0^{\circ}\text{C}$ (32°F)	86%			

## Discharge Characteristics (25°C, 77°F)



## Constant Current (Amp) and Constant Power (Watt) Discharge Table (25°C, 77°F)

Time (minute) Final voltage/Cell	5	10	15	20	30	45	60	120	180	300	600	1200
Amp/Watt/Cell	1.3	1.3	1.3	1.3	1.6	1.6	1.67	1.7	1.75	1.75	1.75	1.8
A	8.40	5.99	4.12	3.36	2.42	1.68	1.30	0.74	0.54	0.36	0.19	0.105
W	15.04	11.26	7.83	6.57	4.75	3.34	2.58	1.46	1.06	0.71	0.38	0.21