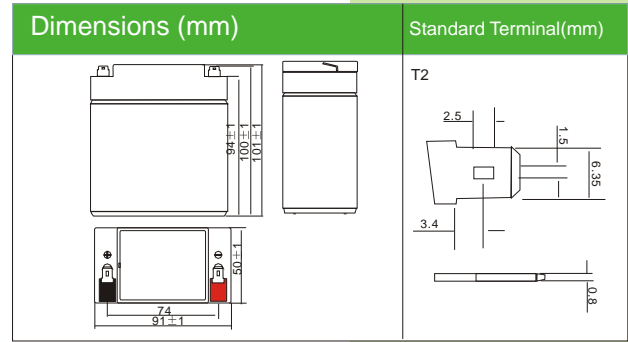
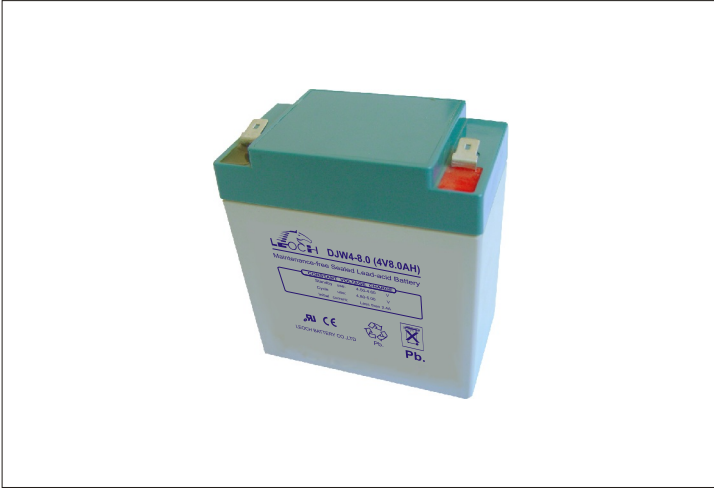
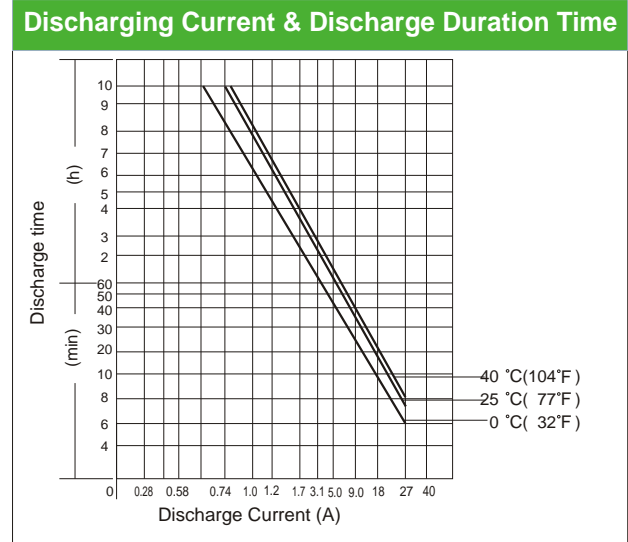




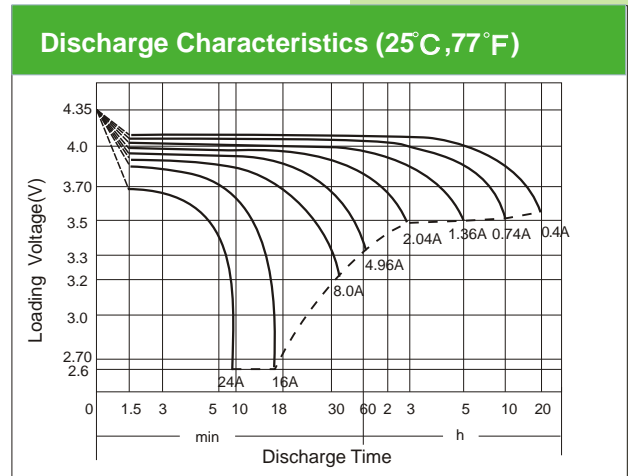
DJW4-8.0(4V8.0AH)



Physical Specification		
Nominal Voltage	4V	
Nominal Capacity (20HR)	8.0AH	
Dimension	Length	91 ± 1mm (3.58 inches)
	Width	50 ± 1mm (1.97 inches)
	Container Height	101 ± 1mm (3.98 inches)
	Total Height (with Cover)	101 ± 1mm (3.98 inches)
Weight	Approx 1.15 kg (2.54 lbs)	
Standard Terminal	T2	



Electrical Specification					
Rated Capacity	20 hour rate (400mA)	8.0AH	Constant-Voltage	Cycle	Initial Charging Current less than 2.4A. Voltage 4.80V~ 5.00V at 25°C (77°F) Temp. Coefficient -10mV/C
	10 hour rate (740mA)	7.4AH			
	5 hour rate (1.36A)	6.8AH			
	1 hour rate (4.96 A)	4.96AH			
	15minute rate (15.68 A)	3.92AH			
Capacity affected by Temperature	40°C (104F)	103%	Charge	Standby	No limit on Initial Charging Current Voltage 4.50V~4.60V at 25°C (77°F) Temp. Coefficient - 6mV/C
	25°C (77F)	100%			
	0°C (32F)	86%			



Constant Current (Amp) and Constant Power (Watt) Discharge Table (25°C, 77°F)												
Time(minute) Final voltage/Cell	5	10	15	20	30	45	60	120	180	300	600	1200
Amp/WattI	1.3	1.3	1.3	1.3	1.6	1.6	1.67	1.7	1.75	1.75	1.75	1.8
A	32.00	22.80	15.68	12.80	9.20	6.40	4.96	2.80	2.04	1.36	0.74	0.40
W	57.28	42.88	29.84	25.04	18.08	12.72	9.84	5.57	4.06	2.72	1.49	0.80