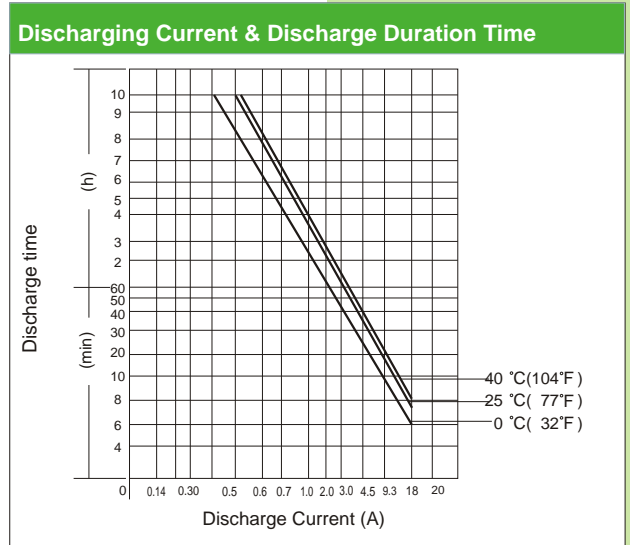
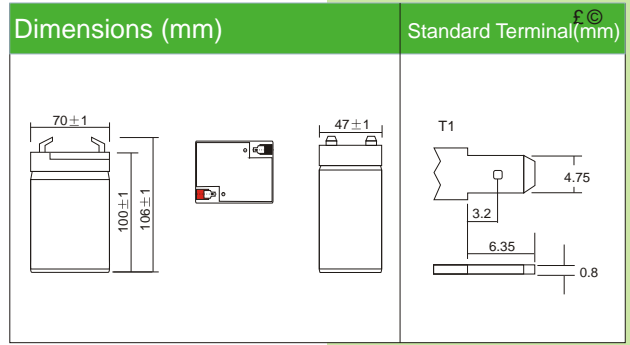
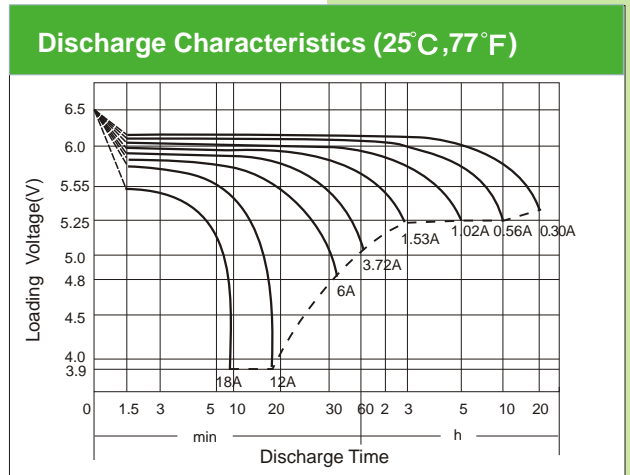




# DJW6-6.0(6V6.0AH)



PHYSICAL SPECIFICATION		
Nominal Voltage		6V
Nominal Capacity (20HR)		6.0AH
Dimension	Length	70 ± 1mm (2.76 inches)
	Width	47 ± 1mm (1.85 inches)
	Container Height	100 ± 1mm (3.94 inches)
	Total Height (with Terminal)	106 ± 1mm (4.17 inches)
Weight		Approx. 0.93kg (2.05lbs)
Standard Terminal		T1(Standard)



ELECTRICAL SPECIFICATION					
Rated Capacity	20 hour rate (0.30 A)	6.0AH	Constant-Voltage Charge	Cycle	Initial Charging Current less than 1.8A. Voltage 7.20V- 7.50V at 25°C (77°F) Temp. Coefficient -15mV/°C
	10 hour rate (0.56 A)	5.6AH			
	5 hour rate (1.02 A)	5.10AH			
	1 hour rate (3.72A)	3.72AH			
Capacity affected by Temperature	40C (104F)	103%	Standby	No limit on Initial Charging Current Voltage 6.75V-6.90V at 25°C (77°F) Temp. Coefficient - 10mV/°C	
	25C (77F)	100%			
	0C (32F)	86%			

### Constant Current (Amp) and Constant Power (Watt) Discharge Table (25°C, 77°F)

Time(minute) Final voltage/Cell	5	10	15	20	30	45	60	120	180	300	600	1200
Amp/Watt/Cell	1.3	1.3	1.3	1.3	1.6	1.6	1.67	1.7	1.75	1.75	1.75	1.8
A	24.00	17.10	11.76	9.60	6.90	4.80	3.72	2.10	1.53	1.02	0.56	0.30
W	42.96	32.16	22.38	18.78	13.56	9.54	7.38	4.18	3.04	2.04	1.12	0.60