

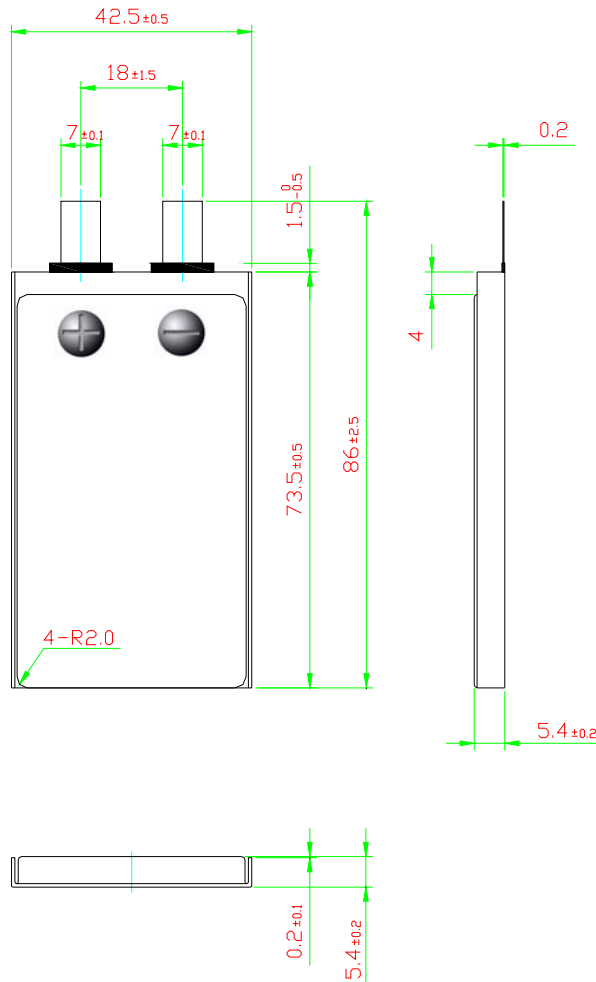
Cell Specification Data

SLPB 554374H



Kokam Co., Ltd.

Cell Specification



● Typical Capacity ¹⁾		1.25 Ah
● Nominal Voltage		3.7 V
● Charge Condition	Max. Current	2.5 A
	Voltage	$4.2V \pm 0.03 V$
● Discharge Condition	Continuous Current	18.75 A
	Peak Current	37.50 A
	Cut-off Voltage	2.7 V
● Cycle Life		> 500 Cycles
● Operating Temp.	Charge	0 ~ 40 °C
	Discharge	-20 ~ 60 °C
● Dimension	Thickness (mm)	5.4 ± 0.2
	Width (mm)	42.5 ± 0.5
	Length (mm)	73.5 ± 0.5
● Weight (g)		32.0 ± 1.0

1) Typical Capacity : 0.5C, 4.2~2.7V @25°C