

ZA5

PR63 / PR521

Hearing Aid Battery



Technical Data Sheet

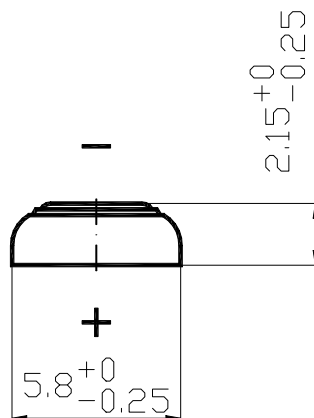
Specifications

Chemical system	Zinc / Air
Nominal Voltage	1.4 V
Capacity	33 mAh, discharge with 6.2 kΩ to 0.9 V / 12 hours per day / 20 °C
Operating Temperature	-10 °C ... 45 °C
Self Discharge	Less than 20% per year at 20 °C with label applied
Weight	~ 0.20 g

**These batteries need air when they are used.
Battery compartment must allow free air access.**

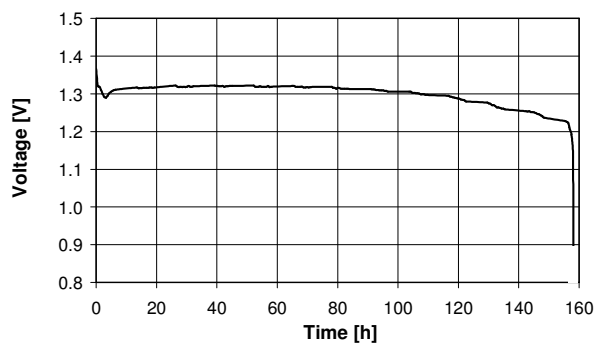
Dimensions

Diameter	5.80 mm
Height	2.15 mm



Discharge Curve

Constant load 6.2 kΩ / 24 h / 7 days/week, at 20 °C and 65% RH



Information and contents in this data sheet are for reference purpose only. They do not constitute any warranty or representation and are subject to change without notice. For most current information and further details, please contact your Renata representative.

Rev. 03 / 03.07