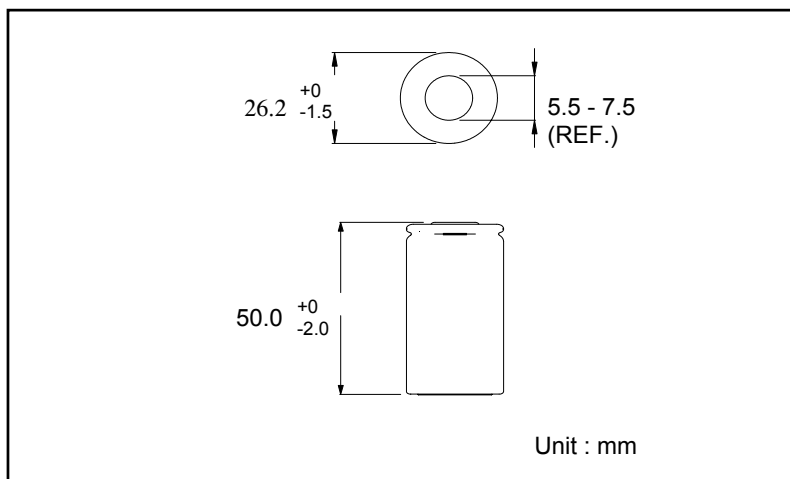


GP Batteries

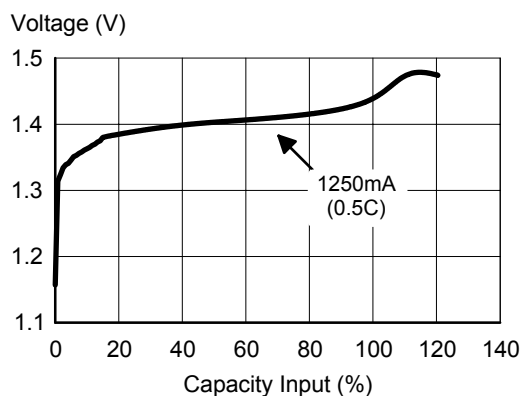
Data Sheet

Model No.: GP250CKC

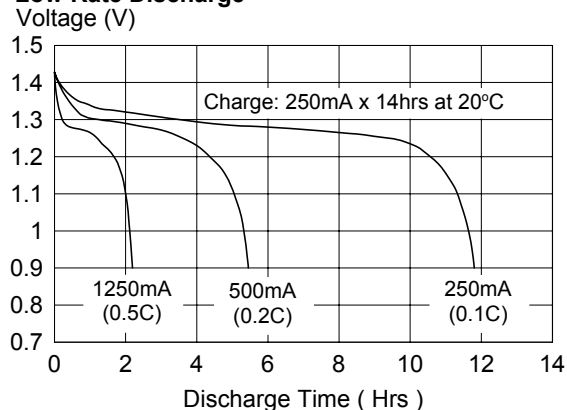
Type	Rechargeable Nickel Cadmium Cylindrical Cell	
Nominal Dimension (with Sleeve)	Φ = 26.2mm H = 50.0mm	
Applications	Recommended discharge current 250 to 7500mA	
Nominal Voltage	1.2V	
Nominal Capacity	Min. : 2500mAh Typical : 2750mAh when discharged at 500mA to 1.0V at 20°C	
Charging Condition	250mA for 16 hrs at 20°C	
Fast Charge	500mA to 1250mA (0.2C to 0.5C) with charge termination control Recommended control parameters: -ΔV : 10 - 20mV Timer : 120% nominal input	
Service Life	>500 cycles (IEC standard) Up to 1000 cycles (not less than 60% of nominal at 0.1C charge / 0.2C discharge)	
Continuous Overcharge	250mA maximum current No conspicuous deformation and / or leakage	
Weight	72g	
Internal Resistance	Average 15mΩ upon fully charged (Range 12 - 18mΩ) at 1000Hz	
Max. Charging Voltage	1.5V at 250mA charging	
Ambient Temperature Range	Standard Charging	0 to 40°C
	Fast Charging	10 to 40°C
	Discharging	-20 to 50°C
	Storage	-20 to 35°C
	Storage (1week)	-20 to 60°C



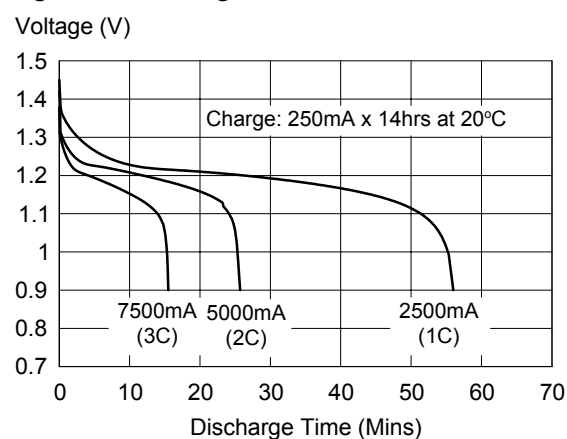
Fast Charge (Charge Control Required)



Low Rate Discharge



High Rate Discharge



* The information (subject to change without prior notice) contained in this document is for reference only and should not be used as a basis for product guarantee or warranty. For applications other than those described here, please consult your nearest GP Sales and Marketing Office or Distributors.