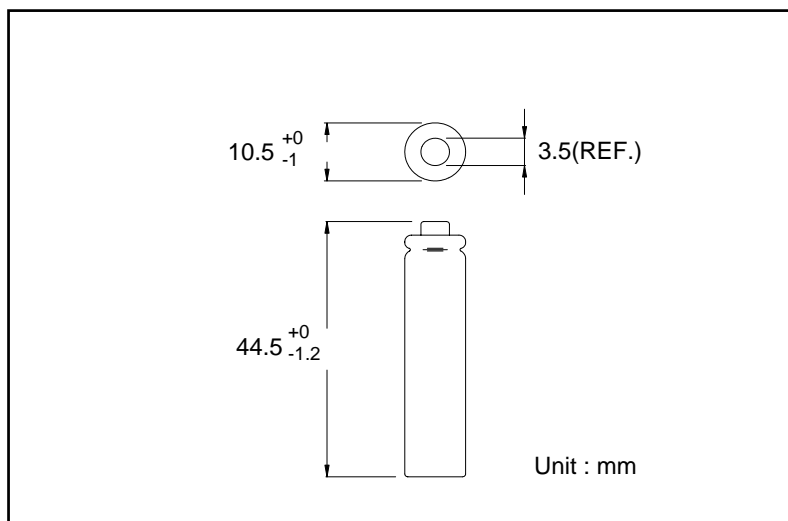


GP Batteries

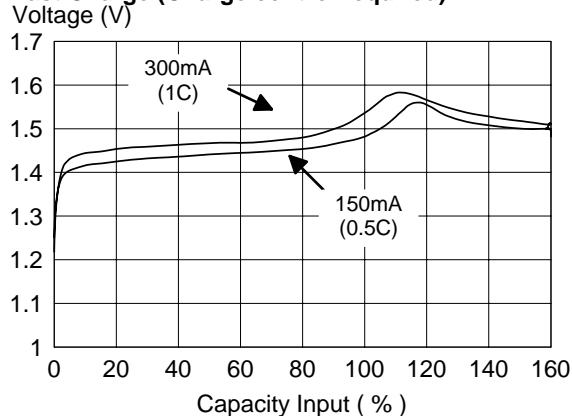
Data Sheet

Model No.: GP30AAAKC

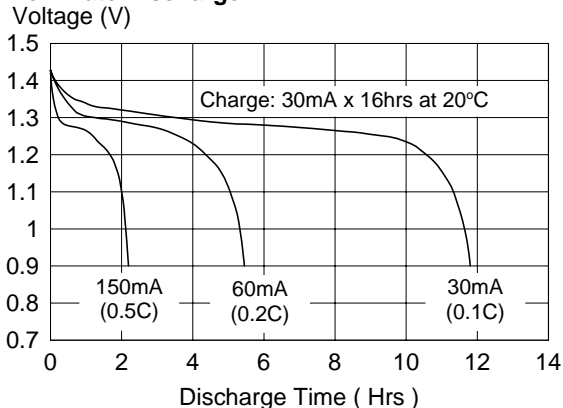
| | | |
|------------------------------------|--|---------------|
| Type | : Rechargeable Nickel Cadmium Cylindrical Cell | |
| Nominal Dimension (with Sleeve) | : $\Phi = 10.5\text{mm}$ $H = 44.5\text{mm}$ | |
| Applications | : Recommended discharge current 15 to 900mA | |
| Nominal Voltage | : 1.2V | |
| Capacity | : Minimum: 300mAh Typical: 320mAh when discharged at 60mA to 1.0V at 20°C | |
| Charging Condition | : 30mA for 16 hrs at 20°C | |
| Fast Charge | : 150mA to 300mA (0.5 to 1C) with charge termination control Recommended control parameters: - ΔV : 10 - 20mV Timer : 120% nominal input | |
| Service Life | : >500 cycles (IEC standard) Up to 1000 cycles (not less than 60% of nominal at 0.1C charge / 0.2C discharge) | |
| Continuous Overcharge | : 30mA maximum current for 1 year No conspicuous deformation and/or leakage | |
| Weight | : 10.5g | |
| Internal Resistance | : Average 48m Ω upon fully charged (Range 30-65m Ω) at 1000Hz | |
| Max. Charging Voltage | : 1.5V at 30mA charging | |
| Ambient Temperature Range | Standard Charging | : 0 to 45°C |
| | Fast Charging | : 10 to 45°C |
| | Discharging | : -20 to 50°C |
| | Storage | : -20 to 35°C |



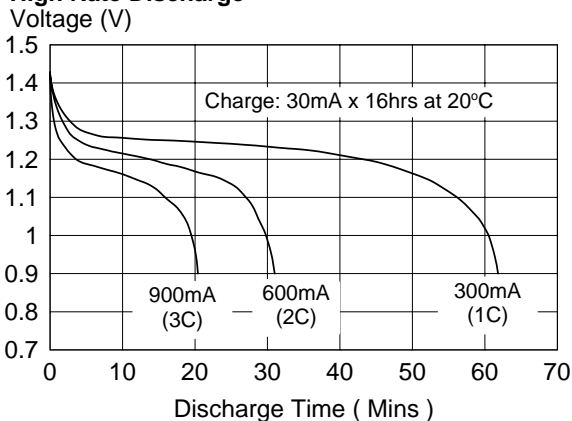
Fast Charge (Charge control required)



Low Rate Discharge



High Rate Discharge



* The information (subject to change without prior notice) contained in this document is for reference only and should not be used as a basis for product guarantee or warranty. For applications other than those described here, please consult your nearest GP Sales and Marketing Office or Distributors.