

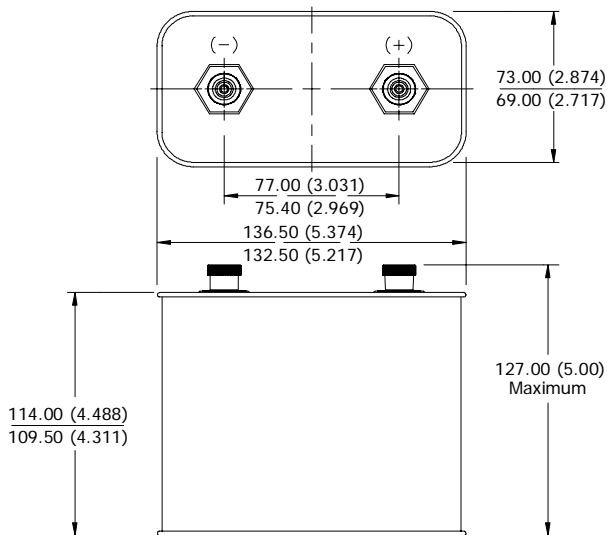
ENERGIZER 521

6V



Industry Standard Dimensions

mm (inches)

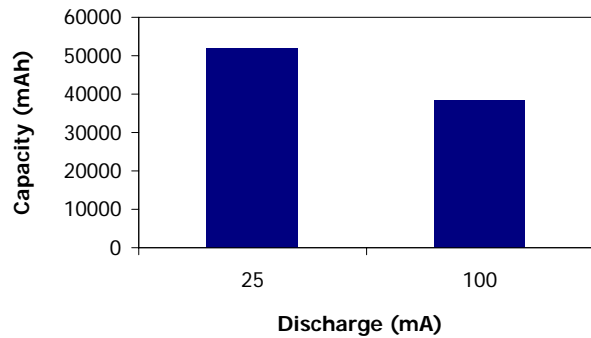


Specifications

Classification:	Alkaline
Chemical System:	Zinc-Manganese Dioxide (Zn/MnO ₂) No added mercury or cadmium
Designation:	ANSI-918A, IEC-4LR25-2
Nominal Voltage:	6.0 volts
Operating Temp:	-18°C to 55°C (0°F to 130°F)
Typical Weight:	1900 grams (67.0 oz.)
Typical Volume:	1125 cubic centimeters (69.0 cubic inch)
Jacket:	Metal
Cells:	Eight 3-361 Two parallel strings of four in series
Terminal:	Screw Post

Milliamp-Hours Capacity

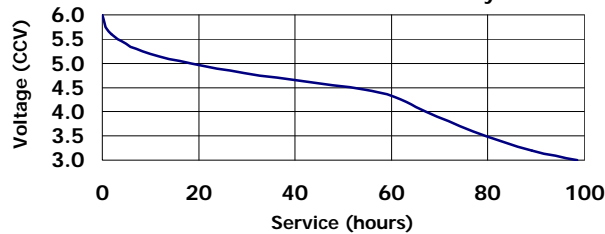
Continuous discharge to 3.2 volts at 21°C



Industry Standard Tests (21°C)

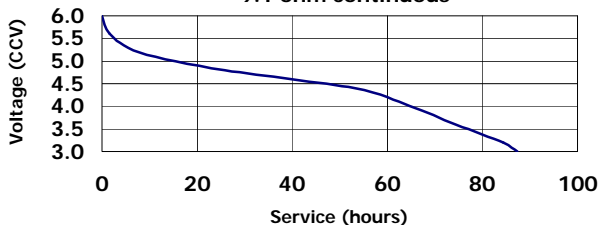
LIGHTING

9.1 ohm 30 min/hr 8 hrs/day



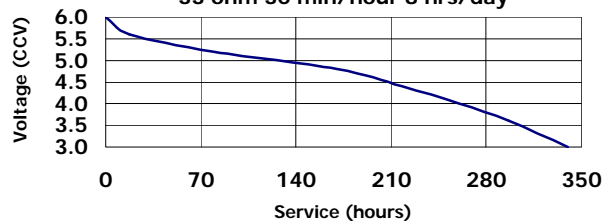
LIGHTING

9.1 ohm continuous



LIGHTING

33 ohm 30 min/hour 8 hrs/day



Important Notice

This datasheet contains typical information specific to products manufactured at the time of its publication.

©Energizer Holdings, Inc. - Contents herein do not constitute a warranty.