



CHUNG PAK GROUP

Alkaline Manganese Button Cell L1028

Technical Specification

Name(Designation) : L1028

IEC Designation : /

Dimension :

Diameter () $10.3^{+0}_{-0.5}$ mm

Height (H) $28.5^{+0}_{-0.8}$ mm

Average Weight : 8.04 g

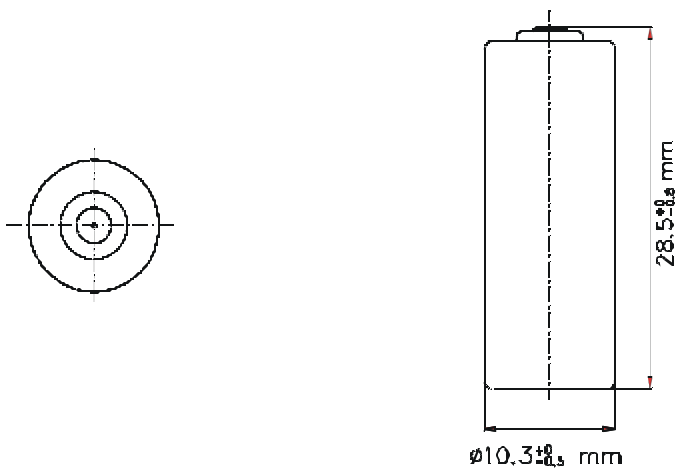
Nominal Voltage : 12.0 V

Nominal Capacity : 65 mAh (Discharge at 20 K to 6.0 V)

Typical Discharge Duration: 136 hrs (Discharge at 20 K to 6.0 V)

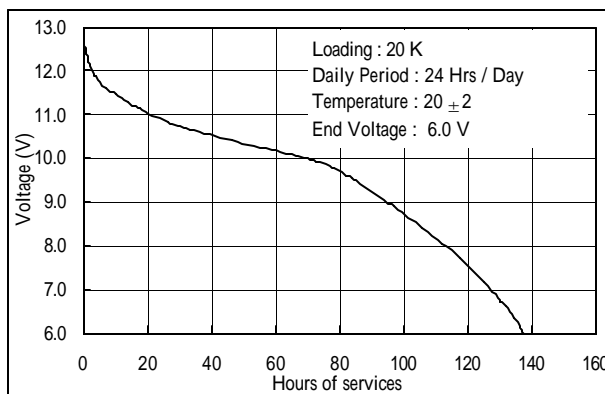
Retention : 112 hrs (Discharge at 20 K to 6.0 V) after 12 months storage(20)

Outside Shape Dimensions And Terminals :

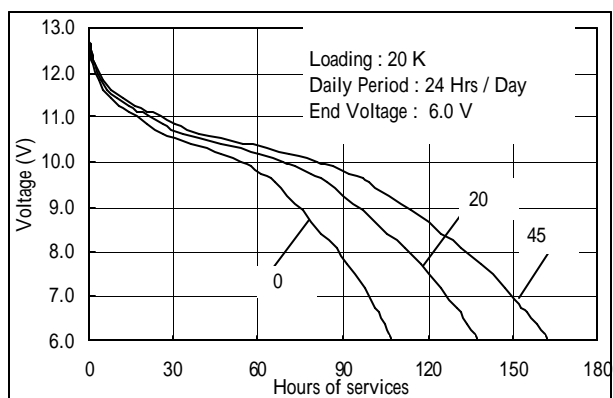


Discharge Characteristics

Standard Discharge Curves:



Temperature Characteristic:



CHUNG PAK BATTERY WORKS LTD.

HEAD OFFICE: 7/F CHUNG PAK COMMERCIAL BLDG., 2 CHO YUEN STL.,

YAU TONG BAY ,KOWLOON,HONG KONG

TEL: (852) 27726900, (852) 27171338 FAX: (852)27727727, (852) 27727494

WEB SITE: WWW.chungpak.com / WWW.vinnic.com

E-MAIL ADDRESS: cp@chungpak.com / cpasales@chungpak.com