



Alkaline Manganese Button Cell L1121

Technical Specification

Name(Designation) : L1121

IEC Designation : LR55

Dimension :

Diameter () $11.6^{+0}_{-0.25}$ mm

Height (H) $2.1^{+0}_{-0.25}$ mm

Average Weight : 0.82 g

Nominal Voltage : 1.5V

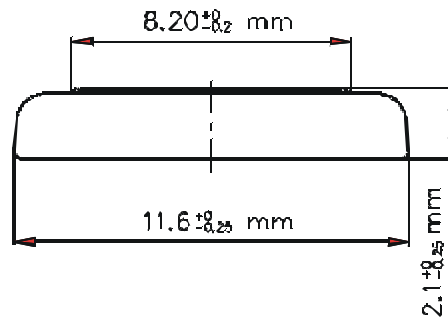
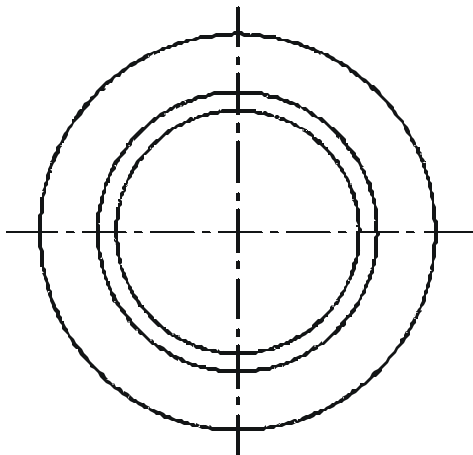
Nominal Capacity : 52 mAh (Discharge at 6.5 K to 0.9V)

Typical Discharge Duration: 270 hrs (Discharge at 6.5 K to 0.9V)

550 hrs (Discharge at 22 K to 1.2V)

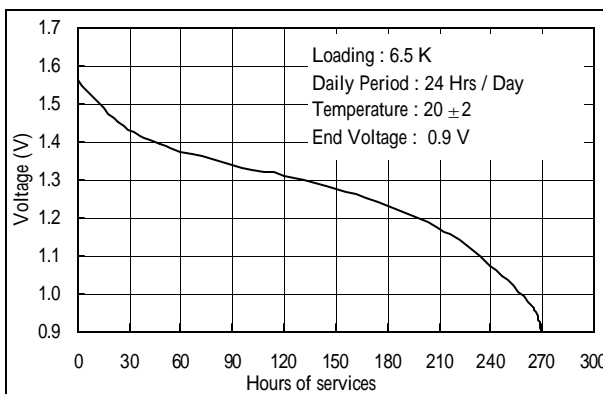
Retention : 225 hrs (Discharge at 6.5 K to 0.9V) after 12 months storage(20)

Outside Shape Dimensions And Terminals :

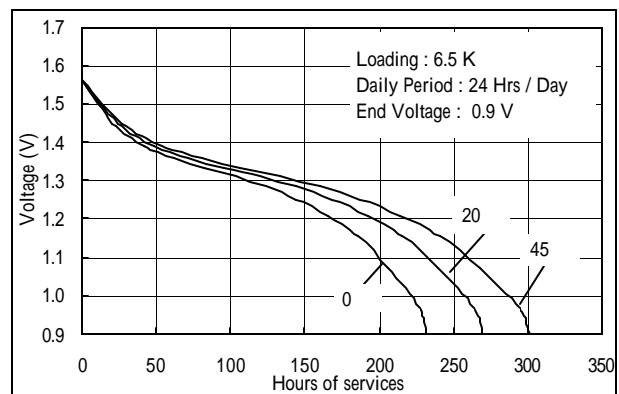


Discharge Characteristics

Standard Discharge Curves:



Temperature Characteristic:



CHUNG PAK BATTERY WORKS LTD.

HEAD OFFICE: 7/F CHUNG PAK COMMERCIAL BLDG., 2 CHO YUEN STL.,

YAU TONG BAY, KOWLOON, HONG KONG

TEL: (852) 27726900, (852) 27171338 FAX: (852) 27727727, (852) 27727494

WEB SITE: WWW.chungpak.com / WWW.vinnic.com

E-MAIL ADDRESS: cp@chungpak.com / cpasales@chungpak.com