

Primary lithium batteries

PS 30A

3.6 V Primary lithium-thionyl chloride (Li-SOCl₂)
Button cell



Benefits

- High and stable operating voltage
- Low self-discharge rate
(less than 1% after 1 year of storage at +20°C)
- Wide operating temperature range

Key features

- Stainless steel container and end caps *(low magnetic signature)*
- Hermetic glass-to-metal sealing
- Non-flammable electrolyte
- Non-restricted for transport
- Made in France

Main applications

- Memory back-up
- Professional electronics

Cell size references

Button cell

Electrical characteristics

(typical values relative to cells stored for one year or less at +30°C)

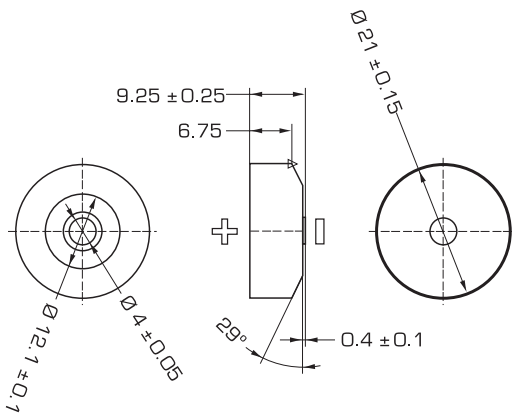
Nominal capacity <i>(at 0.4 mA +20°C 2 V cut off. The capacity restored by the cell varies according to current drain, temperature and cut off)</i>	500 mAh
Open circuit voltage (at +20°C)	3.67 V
Nominal voltage (at 0.1 mA +20°C)	3.6 V
Continuous current permitting 50% of the nominal capacity to be achieved at +20°C with 2 V cut off.	5 mA
Storage <i>(recommended)</i> <i>(for more severe conditions, consult Saft)</i>	+30°C (+86°F) max
Operating temperature range <i>(Operation above ambient T may lead to reduced capacity and lower voltage readings at the beginning of pulses. Consult Saft)</i>	-60°C/+85°C (-76°F/+185°F)

Physical characteristics

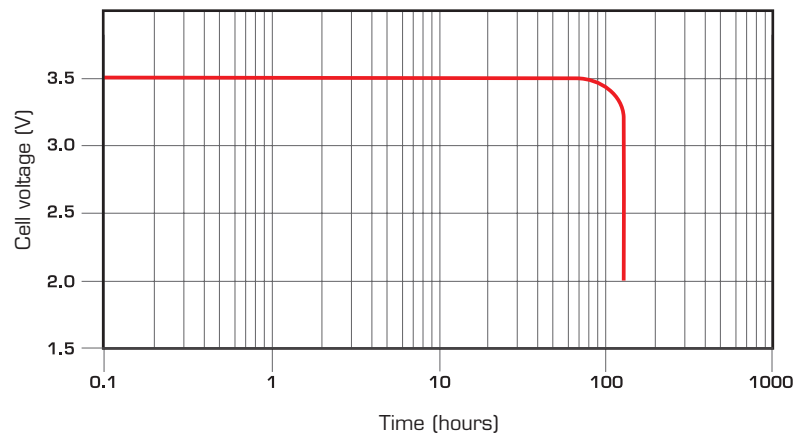
Diameter <i>(max)</i>	21.15 mm (0.83 in)
Height <i>(max)</i>	9.5 mm (0.37 in)
Typical weight	9.8 g (0.35 oz)
Li metal content	approx. 0.16 g



PS 30A



Overall dimensions in mm



Typical discharge profile under 1500 Ohms at +20°C

Storage

- The storage area should be clean, cool (preferably not exceeding +30°C), dry and ventilated.

Warning

- Fire, explosion and severe burn hazard.
- Do not recharge, short circuit, crush, disassemble, heat above 100°C (212°F), incinerate, or expose contents to water.
- Do not solder directly to the cell.

Saft

Specialty Battery Group

12, rue Sadi Carnot
93170 Bagnolet – France
Tel +33 (0)1 49 93 19 18
Fax +33 (0)1 49 93 19 69

www.saftbatteries.com

Doc. N° 31056-2-0605

Information in this document is subject to change without notice and becomes contractual only after written confirmation by Saft.

Published by the Communications Department.

Photo credit: Saft.

Société anonyme au capital de 31 944 000€
RCS Bobigny B 383 703 873

Produced by Arthur Associates.



SAFT