

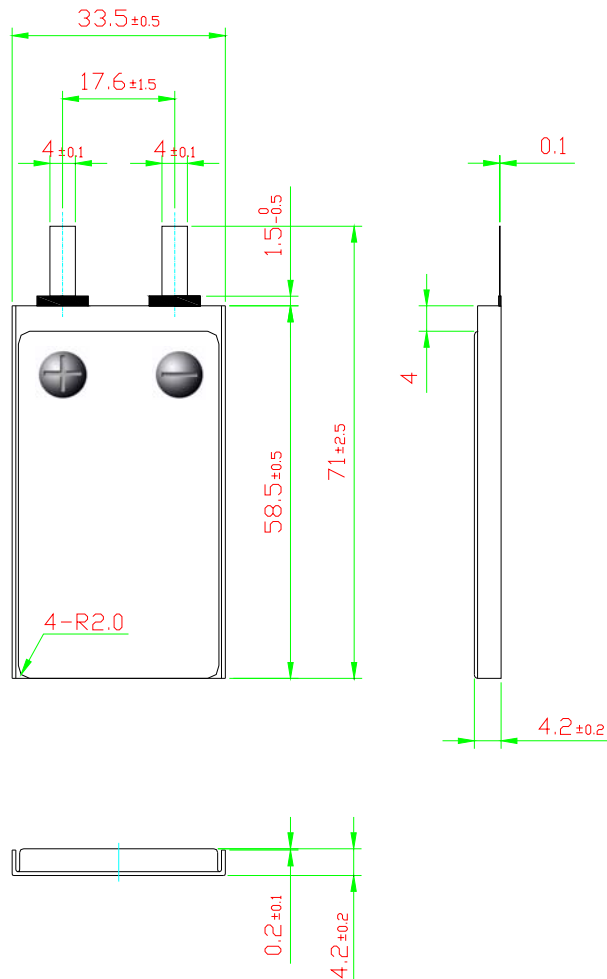
# Cell Specification Data

SLPB 393459H3



**Kokam Co., Ltd.**

## Cell Specification



● Typical Capacity <sup>1)</sup>		<b>620 mAh</b>
● Nominal Voltage		<b>3.7 V</b>
● Charge Condition	Max. Current	<b>1.24 A</b>
	Voltage	<b><math>4.2V \pm 0.03 V</math></b>
● Discharge Condition	Continuous Current	<b>9.30 A</b>
	Peak Current	<b>18.60 A</b>
	Cut-off Voltage	<b>2.7 V</b>
● Cycle Life		<b>&gt; 500 Cycles</b>
● Operating Temp.	Charge	<b>0 ~ 40 °C</b>
	Discharge	<b>-20 ~ 60 °C</b>
● Dimension	Thickness (mm)	<b><math>4.2 \pm 0.2</math></b>
	Width (mm)	<b><math>33.5 \pm 0.5</math></b>
	Length (mm)	<b><math>58.5 \pm 0.5</math></b>
● Weight (g)		<b><math>16.0 \pm 0.5</math></b>

1) Typical Capacity : 0.5C, 4.2 ~ 2.7V @25°C